

TREBLE R FABRICATIONS

UNIT 42 – CROSSGATE ROAD – PARK FARM INDUSTRIAL ESTATE – REDDITCH – WORCS – B987SN

tel 01527 503 303 – fax 01527 503 325 – web www.treblefabrications.co.uk

STOPLOG LIFTING POLES

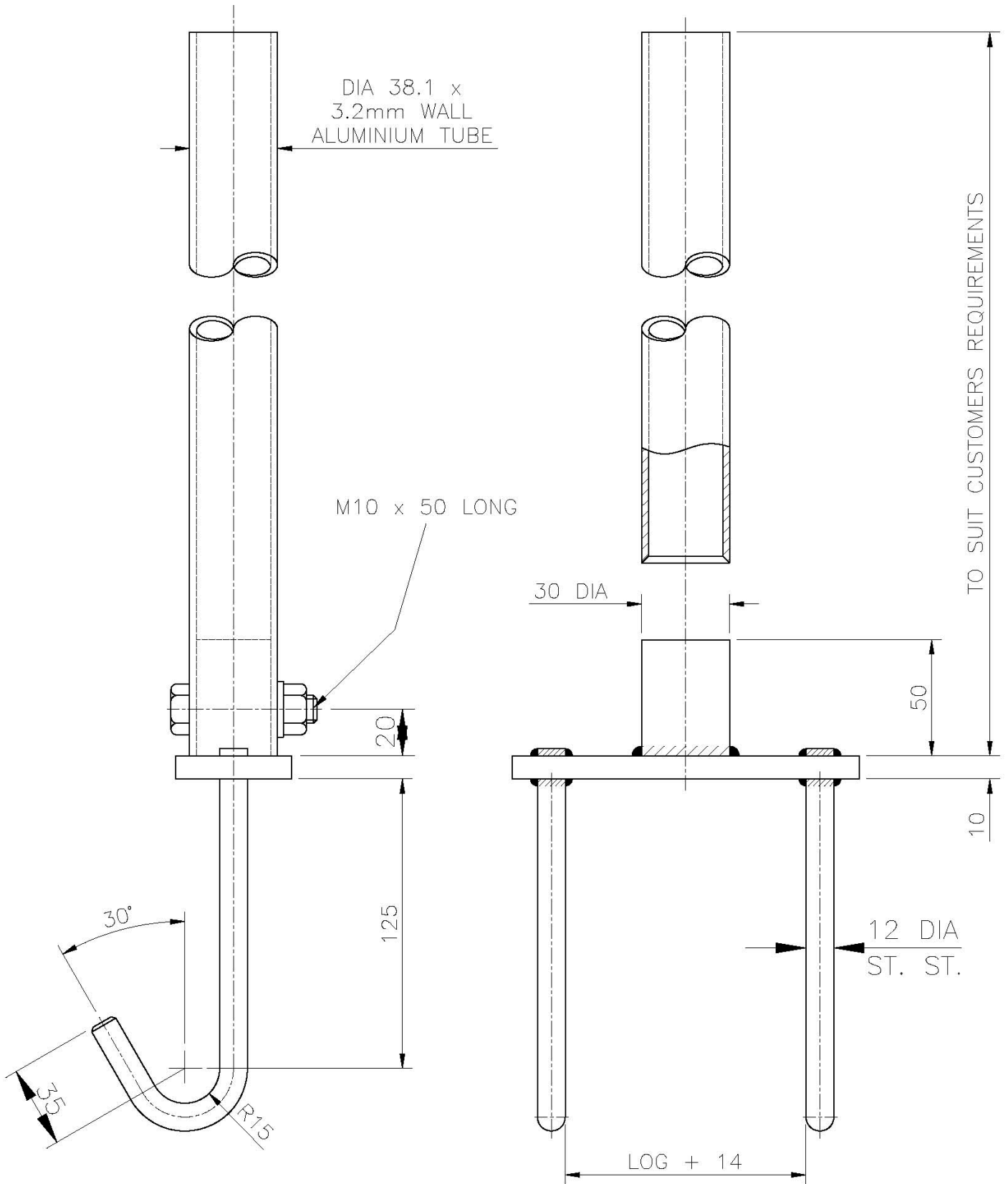
All Stoplogs subject to size require lowering and removal and the requirement / need for a manual Lifting Pole is the ideal solution.

Subject to the lift being within standard health and Safety regulations ie 25kg lift per person



STOPLOG LIFTING POLES

Stoplog Lifting Poles



Stoplog Lifting Poles

Construction Materials		
ITEM	DESCRIPTION	MATERIAL
1	Lifting Pole	Aluminium
2	Fasteners	Stainless Steel, BS 6105, Gr A4
3	Lifting Hook	Stainless Steel BS 970, Gr 304

Options	
Operation:	Lifting poles, max log weight 25kgs
Size Range:	To suit stoplog thickness and Pin position
Storage:	Racks for logs and lifting equipment